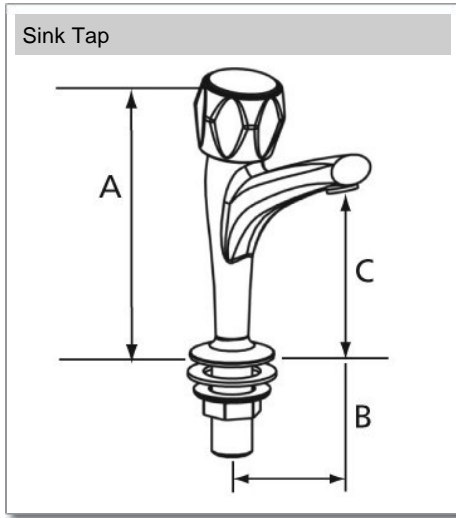




## Mercia Modern High Neck Sink Tap



| Code   | Description                       | A   | B   | C  |
|--------|-----------------------------------|-----|-----|----|
| 4M3913 | MERCIA MODERN HN SINK TAP CP PAIR | 146 | 101 | 78 |

*Pegler Yorkshire reserve the right to change specifications*

### 10 Year Guarantee Luxury Taps and Mixers

#### Pegler Yorkshire Customcare 10 Year Guarantee - Terms and Conditions

Product are subject to a 10 year guarantee that is between Pegler Yorkshire and the final purchaser of the product.

The guarantee is subject to proof of purchase being supplied.

This guarantee does not affect any statutory rights the consumer may have in law.

The guarantee covers manufacturing or material defects and does not cover parts subject to normal wear and tear.

Finishes other than chrome are covered for a period of 3 years only and the guarantee on the finish is subject to the cleaning instructions being followed.

The guarantee is not applicable where the product is fitted contrary to the conditions in the fitting instructions.

Abusive behaviour and accidental damage to the product are not covered by this guarantee.

The extent of this liability is limited to the cost of the replacement of the defective item and not to fitting or consequential damages.

| Description | Minimum Operating Pressure (bar) | Maximum Cold Working Pressure (bar) | Maximum Hot Working Pressure (bar)            |
|-------------|----------------------------------|-------------------------------------|-----------------------------------------------|
| Sink Taps   | 0.1 bar                          | 10.0 bar at temperatures up to 85°C | Not Suitable for Maximum Hot Working Pressure |

#### Care

To maintain the surface finish, simply wipe occasionally with a mild detergent on a soft damp cloth. Dry, using a soft cloth. Never use abrasive cleaners or chemical household cleaners and avoid contact with concentrated bleach.

#### Maintenance

No regular maintenance is required for this product.

In case of complete replacement Pegler recommend service valves should be fitted to the supply inlets.

For any further help or replacement parts please contact the Service Support Team on 0800 1560050.

#### Regulations

It is important to ensure that the water supplies to your taps and mixers are connected in accordance with the water regulations (WRAS) requirements and good plumbing practice.

It is Pegler's recommendation and good plumbing practice that the supplies of hot and cold water to the mixer should be at equal (balanced) pressures in order to provide a consistent flow. Supplies should be from a common source, either mains or tank fed. If supplies are not equal pressures then non return valves should be fitted.

| Component              | Material                       |
|------------------------|--------------------------------|
| Body                   | Forged Brass with Chrome Plate |
| Backnut                | Forged Brass                   |
| Anti-rotational washer | Polyethelene                   |
| Head                   | Brass Bar                      |
| Spindle                | Brass Bar                      |
| Valve                  | Brass Bar                      |
| Gland                  | Brass Bar                      |
| Packing                | Plastic                        |
| Seals                  | Rubber                         |

Pegler Yorkshire Group Ltd, St Catherine's Ave, Doncaster, S Yorkshire, DN4 8DF  
Telephone: Phone +44 (0) 844 243 4400 Fax: +44 (0) 844 243 9870 Website: [www.pegler-yorkshire.co.uk](http://www.pegler-yorkshire.co.uk)  
Registered office : Pegler Yorkshire Group Ltd, St Catherine's Ave, Doncaster, S Yorkshire, DN4 8DF Company no : 00401507



# WRAS<sup>®</sup>

Water Regulations Advisory Scheme

*This certifies that*

**PEGLER YORKSHIRE GROUP LTD.**

---

*has had the undermentioned product examined, tested and found, when correctly installed, to comply with the requirements of the United Kingdom Water Supply (Water Fittings) Regulations/Scottish Water Byelaws.*

**MERCIA MODERN, QT, CROSS TOP & POLO  
HIGH NECK PILLAR TAPS**

*Reference should be made to the accompanying acceptance letter for installation requirements*

---

*The product so mentioned will be listed in the  
Water Fittings and Materials Directory  
for a period until:*

**09                  JUNE                  2014**

---

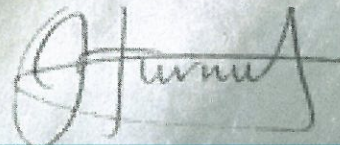
**0906006**

---

*Certificate No.*



*Chairman, Test and Assessment Group*



*Secretary*

**WRAS**  
**APPROVED  
PRODUCT**